

Maintenance Free - High Capacity Dual Purpose AGM Batteries

# HC14A

(Res. Min: 20 - CCA: 200 - C20: 14AH / 12V)



**HIGH CAPACITY SERIES**



### HIGH RATE DISCHARGE @ 77° (25°C) to 7.2V - STARTING

5 Seconds	10 Seconds	15 Seconds	20 Seconds
535 Amps	465 Amps	435 Amps	410 Amps

### EXTENDED DISCHARGE @ 77° (25°C) to 10.02V - DEEP CYCLE

5 Min	15 Min	1 Hour	3 Hour	5 Hour	10 Hour	20 Hour
57 Amps	26.5 Amps	8.8 Amps	3.6 Amps	2.35 Amps	1.42 Amps	0.77 Amps

### PERFORMANCE FEATURES

- PHCA: 535A at 80°F (27°C) for 5 seconds
- CCA: 200A at 0°F (-18°C)
- CA/MCA: 265A at 32°F (0°C)
- HCA: 300A at 80°F (27°C)
- Reserve capacity: 20 minutes
- 14AH @ 20Hr Rate
- Short circuit current: 600A
- Operation temperature range: -5°F (-15°C) to 122°F (50°C)

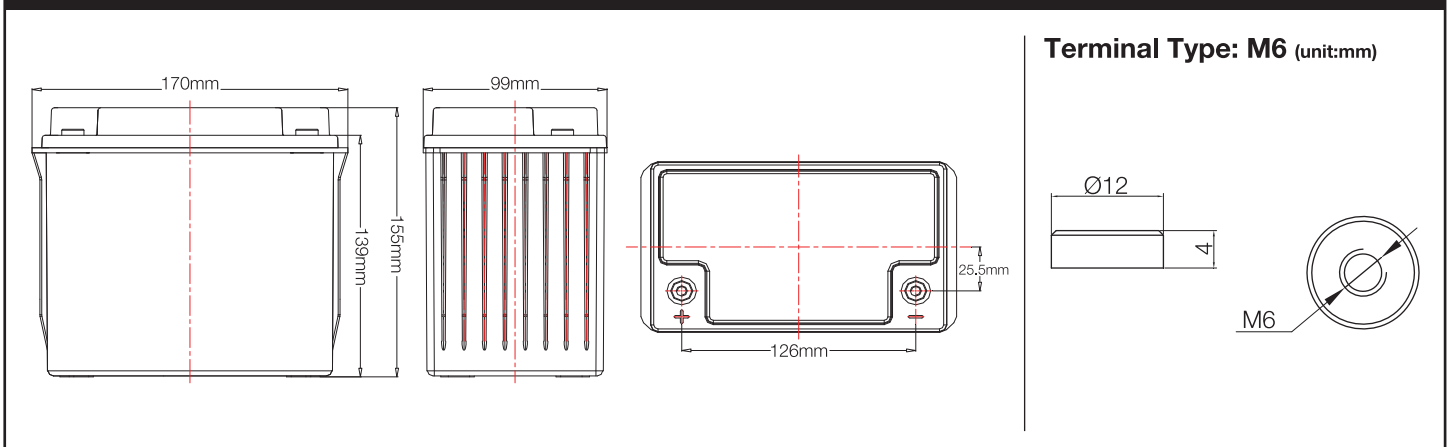
### BATTERY DESIGN

- 12V VRLA **Starting/Deep Cycle** Battery
- Absorbed Glass Mat (AGM) technology
- Sealed Construction (Non-Spillable Battery)
- Can be mounted in any orientation except inverted
- US DOT, IMDG, ICAO and IATA certified non-spillable
- Can be fitted with brass automotive terminal
- Durability - withstands shock and vibration
- Available with metal casing for high heat applications

### NOMINAL DIMENSIONS

Length		Width		Height		Total Height		Weight	
mm	inch	mm	inch	mm	inch	mm	inch	kg	pound
170.2	6.70	99.1	3.90	155	6.10	155	6.10	6.0	13.23

### SIZE & DETAILED ILLUSTRATION



This information is generally descriptive only and is not intended to make or imply any representation, guarantee or warranty with respect to any cells and batteries. Cell and battery designs/specifications are subject to modifications without notice. Contact Fullriver for the latest information.