



Model: **HC75**



HIGH RATE DISCHARGE @ 77° (25°C) - STARTING

5 Seconds	10 Seconds	20 Seconds	30 Seconds
1750 Amps	1540 Amps	1400 Amps	1355 Amps

EXTENDED DISCHARGE @ 77° (25°C) to 10.02V - DEEP CYCLE

5 Min	15 Min	1 Hour	3 Hour	5 Hour	10 Hour	20 Hour
338 Amps	164 Amps	53.5 Amps	19.9 Amps	12.4 Amps	6.5 Amps	3.9 Amps

PERFORMANCE FEATURES

- PHCA: 1750A at 80°F (27°C) for 5 seconds
- CCA: 930A at 0°F (-18°C)
- CA/MCA: 1070A at 32°F (0°C)
- HCA: 1350A at 80°F (27°C)
- 75AH @20 Hr Rate
- Reserve capacity: 150 minutes
- Short circuit current: 3500A
- Operation temperature range: -5°F (-15°C) to 122°F (50°C)

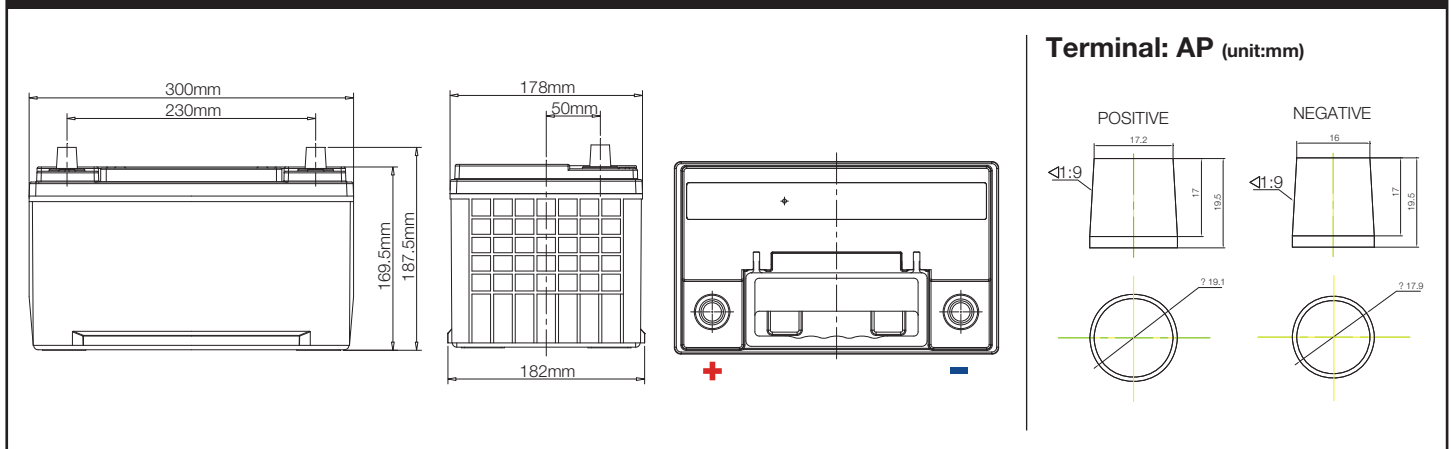
BATTERY DESIGN

- 12V VRLA **Starting/Deep Cycle** Battery
- Absorbed Glass Mat (AGM) technology
- Sealed Construction (Non-Spillable Battery)
- Can be mounted in any orientation except inverted
- US DOT, IMDG, ICAO and IATA certified non-spillable
- Can be fitted with brass automotive terminal
- Durability - withstands shock and vibration
- Suitable for repeated discharges.

NOMINAL DIMENSIONS

Length		Width		Height		Total Height		Weight	
mm	inch	mm	inch	mm	inch	mm	inch	kg	pound
300	11.81	182	7.17	169.5	6.67	187.5	7.38	26.30	57.98

SIZE & DETAILED ILLUSTRATION



This information is generally descriptive only and is not intended to make or imply any representation, guarantee or warranty with respect to any cells and batteries. Cell and battery designs/specifications are subject to modifications without notice. Contact Fullriver for the latest information.