



FFD200-12

(Group Size: 4D)

Deep Cycle Sealed
Maintenance-Free
AGM Battery



FULL FORCE
BATTERY

CRANKING PERFORMANCE

| CA 32°F | CCA 0°F |
|---------|---------|
| 1500 | 1300 |

RESERVE CAPACITY

| @25 AMPS | @75 AMPS |
|-------------|-------------|
| 400 Minutes | 100 Minutes |

CONSTANT CURRENT DISCHARGE (Amps)

| CUT OFF VOLTAGE V/cell | 15M | 30M | 45M | 1H | 2H | 3H | 5H | 8H | 10H | 12H | 20H | 24H |
|------------------------|-----|-----|-----|-----|------|------|------|------|------|------|------|-----|
| 1.75V | 261 | 167 | 123 | 103 | 55.1 | 40.8 | 28.8 | 19.6 | 16.2 | 13.9 | 10.0 | 8.6 |

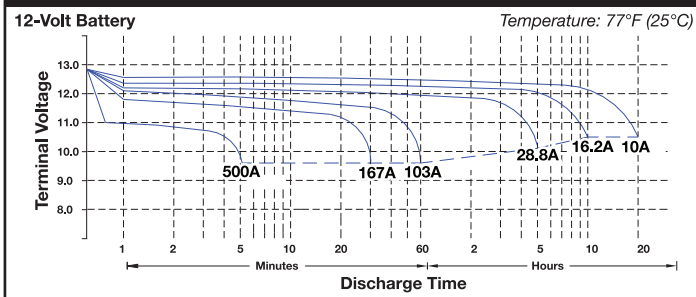
SPECIFICATIONS

| | | |
|-------------------------------|------------------------------------|----------------------------|
| Nominal Voltage | | 12 Volt |
| Rated Capacity (20 hour rate) | | 200 AH |
| Dimensions | Total Height (including terminals) | 239 mm (9.41") |
| | Height | 214 mm (8.43") |
| | Length | 530 mm (20.87") |
| | Width | 209 mm (8.23") |
| Weight | | 55.7 kg (122.8 lbs) |

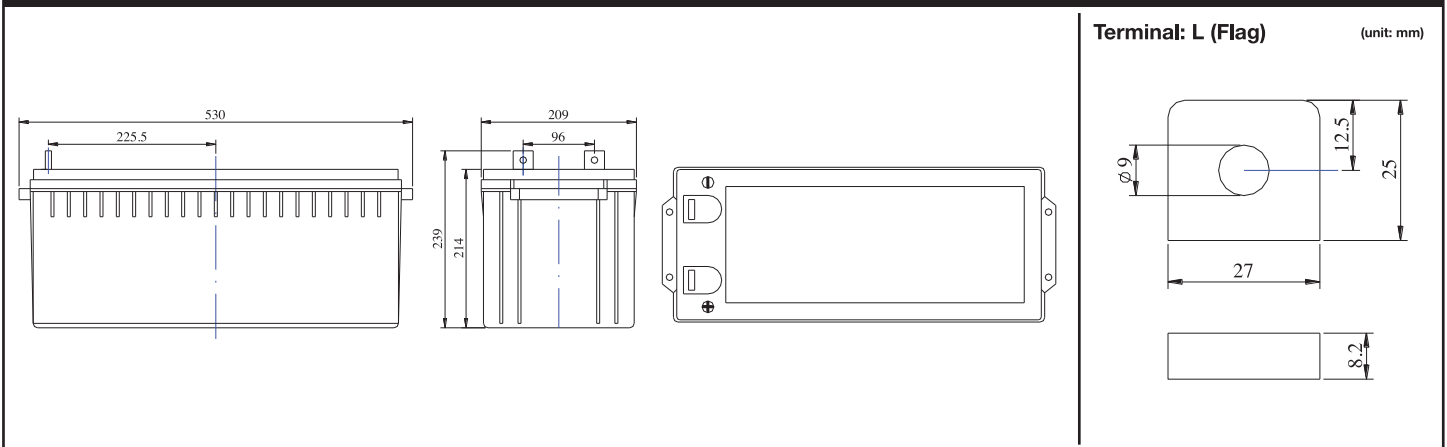
CHARACTERISTICS

| | | |
|---|------------------------------------|---|
| Capacity 77°F (25°C) | 20 Hour Rate (1.75A to 10.5 Volts) | 200AH |
| | 10 Hour Rate (16.2A to 10.2 Volts) | 162AH |
| | 5 Hour Rate (28.8A to 10.2 Volts) | 144AH |
| Internal Resistance | Full charged Battery 77°F (25°C) | 4m Ω |
| Capacity Affected by Temperature (20 Hour Rate) | 104°F (40°C) | 102% |
| | 77°F (25°C) | 100% |
| | 32°F (0°C) | 85% |
| | 5°F (-15°C) | 65% |
| Self-Discharge 77°F(25°C) | Capacity after 3 month storage | 91% |
| | Capacity after 6 month storage | 82% |
| | Capacity after 12 month storage | 64% |
| Max. Discharge Current | 2000A (5s) | |
| Terminal | Standard | L (Flag) |
| Charging (Constant Voltage) | Cycle | Initial Charging Current $\leq 0.2 \times C20$ 13.9 V ~ 14.2 V/77°F (25°C) |
| | Float | 13.3 V ~ 13.5 V/77°F (25°C) |

DISCHARGE CHARACTERISTICS



SIZE & DETAILED ILLUSTRATION



This information is generally descriptive only and is not intended to make or imply any representation, guarantee or warranty with respect to any cells and batteries. Cell and battery designs/specifications are subject to modifications without notice. Contact Fullriver for the latest information.