



1500



QuiQ™ 1500

1500W Industrial Battery Charger

Available models:			
48 V / 25 A	72 V / 17 A	48 V / 30 A	72 V / 20 A
@ 110/120 VAC		@ 208 / 230 / 240 VAC	

The Delta-Q QuiQ 1500 W Battery Charger is a flexible charging solution for industrial motive applications, including 48 V and 72 V specialty golf and utility vehicles, and 48 V aerial boom lifts. The QuiQ 1500 provides up to 30% faster charging times compared to the QuiQ 1000 in an identical mechanical design. Applications include boom lifts, specialty golf vehicles, and utility vehicles.



Proven, Efficient Design

A proven power electronics design with 94% energy efficiency and sealed enclosure to prevent damage from high vibration, extreme ambient temperatures, water, chemicals, and dust ingress.



Easy to Integrate

The QuiQ 1500 can be equipped to go on- or off-board, and is the same mechanical design as all other QuiQ series chargers. Clear display to indicate charging progress and completion. Uses battery maintenance tools for integrated charge cycle and event tracking.



Charge Quality

Charge profiles to precisely charge deep-cycle lead acid and lithium batteries. Developed in Delta-Q's battery lab to balance charge time, battery life and application requirements.



Global Flexibility

Global AC input to be used anywhere in the world, and has comprehensive regulatory approvals, including CEC energy efficiency standards.

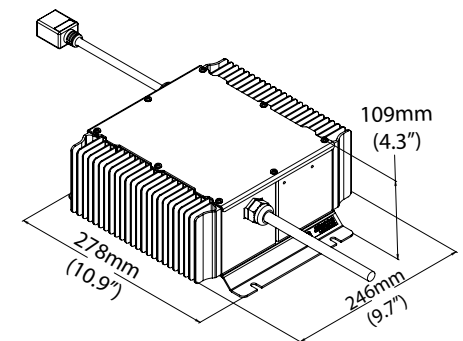
QuiQ 1500 Charger Specifications



Usability Features

- + Battery temperature monitor
- + Multi-color LED indicator for >80% charge, full charge, fault
- + Field programmable with up to 10 charging profiles
- + Download charge / event data using QuiQ Programmer
- + Auto-configures output power to 1200 watts when connected to 120 VAC to prevent nuisance breaker trips

Dimensions



Web: delta-q.com
 Phone: +1.604.327.8244
 E-mail: sales@delta-q.com

Delta-Q Technologies
 3755 Willingdon Avenue
 Burnaby, BC V5G 3H3
 Canada

DC Output	48 VDC	48 VDC	72 VDC	72 VDC
	110/120 VAC	208 / 230 / 240 VAC	110/120 VAC	208 / 230 / 240 VAC
Maximum DC output power	1200 W	1500 W	1200 W	1500 W
Maximum DC output current	25 A	30 A	17 A	20 A
Maximum DC output voltage	68 V		100 V	
Deep discharge recovery (minimum voltage)	12 V		18 V	
Maximum interlock current	1 A (5 A option)			
Battery type	Lead acid (Wet / AGM / GEL), lithium ion			
Reverse polarity	Electronic protection with auto-reset			
Short circuit	Electronic current limit			

AC Input	
AC input voltage range	108-250 VAC
Nominal AC input voltage	120 VAC / 208 VAC / 230 VAC
Supported AC sources	Single / split-phase
AC input frequency	45-65 Hz
Maximum / nominal AC input current	12 A / 10.5 A @120 VAC; 9 A / 7 A rms @230 VAC
Nominal AC power factor	>0.99 @ 120 VAC; >0.98 @ 230 VAC

Regulatory	
Efficiency	94%; California Energy Commission (CEC) compliant
Safety	UL approved to UL1564 3rd Ed. and CSA 107.2, EN 60335-2-29 Designed to meet UL2202 1st Ed.
Emissions	FCC Part 15 / ICES 003 Class A, EN 55011
Immunity	EN 61000-3-2, EN 61000-3-3, EN 61000-6-2, EN 61000-6-4

Mechanical	
Dimensions	28.0 x 24.6 x 11.0 cm (10.9 x 9.7 x 4.3")
Weight	< 5 kg. (<11 lbs.)
AC input connector	IEC320/C14 (requires country-specific cord)
DC output connector	OEM specific with 12 AWG wire

Environmental	
Enclosure	IP66 (NEMA4)
Operating temperature	-30°C to +50°C (-22°F to 122°F) Derated at >30°C (86°F), <0°C (32°F)
Storage temperature	-40°C to +70°C (-40°F to 158°F)

Visit delta-q.com/products to view the complete Delta-Q product portfolio.